

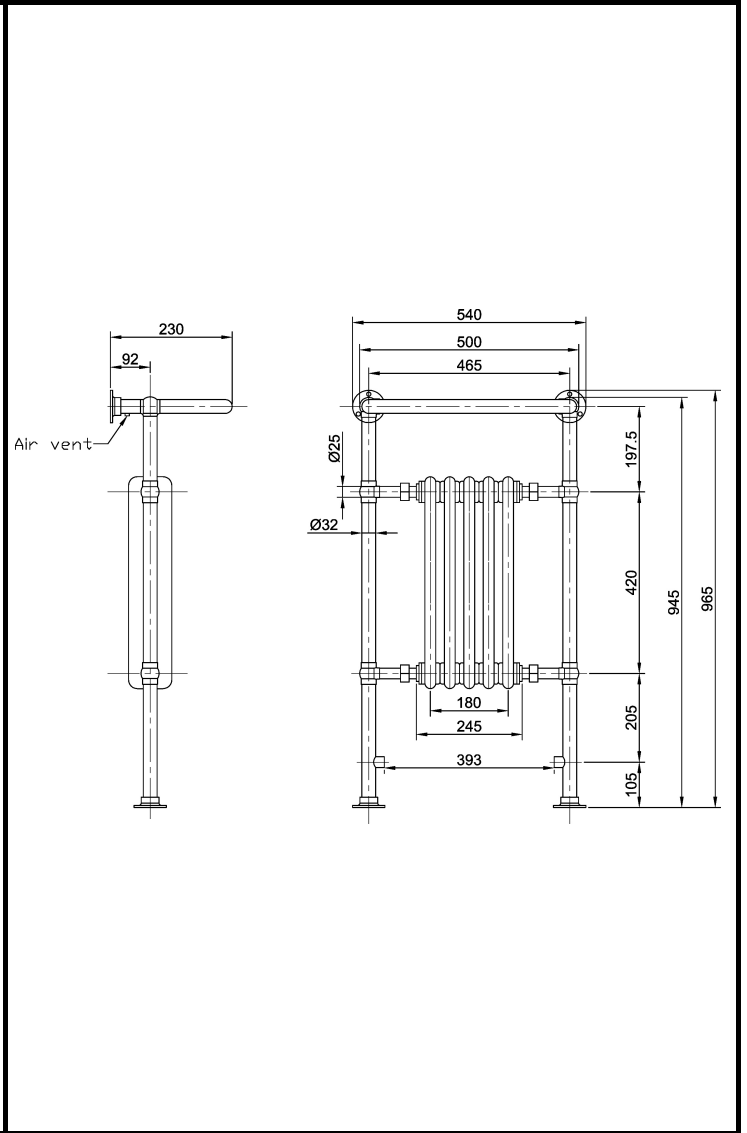
B A Y S W A T E R

London W.2

CODE: BAYR003

DESCRIPTION: Clifford Towel Rail/Radiator 965X540x230

CATEGORY: Heating



PRODUCT DIMENSIONS				
Height (mm)	Width (mm)	Depth (mm)	Length (mm)	Nett Wgt Kg
965	540	230		16.6

PACKAGING DIMENSIONS			
Height (mm)	Width (mm)	Depth (mm)	Gross Wgt Kg
1025	583	294	16.6

PACKAGING DATA			
Box Colour	White Cardboard Shrinkwrapped		
Box Qty	1	Label Colour	White Label
Label Size	100 x 50	Label Qty	2

OUTER BOX DIMENSIONS (If Applicable)			
Height (mm)	Width (mm)	Length (mm)	Gross Wgt Kg
Barcode	5055275889923		

PRODUCT DETAILS	
Contry of Origin	United Kingdom
Fitting Instruction	Yes
RAL No	9016
Heat Element Wattage	Not Applicable
BTU @ 50 Degrees	1338
Thermal Output @ 50 Degrees	
Pipe Centres	250mm
Volume	178
Wall to Ctr of Tappings	100
Duel Fuel	N/A

Certification	CE	No	RoHS	N/A	WEEE	N/A
Colour/Finish	Chrome/White					
Product Material	Steel					
Heat Element Wattage Compatible	N/A					
BTU @ 60 Degrees	1875					
Thermal Output @ 60 Degrees	548W					
Max Projection	220mm					
Tube Diameter	32mm					
Floor to Ctr of Tappings	105					