

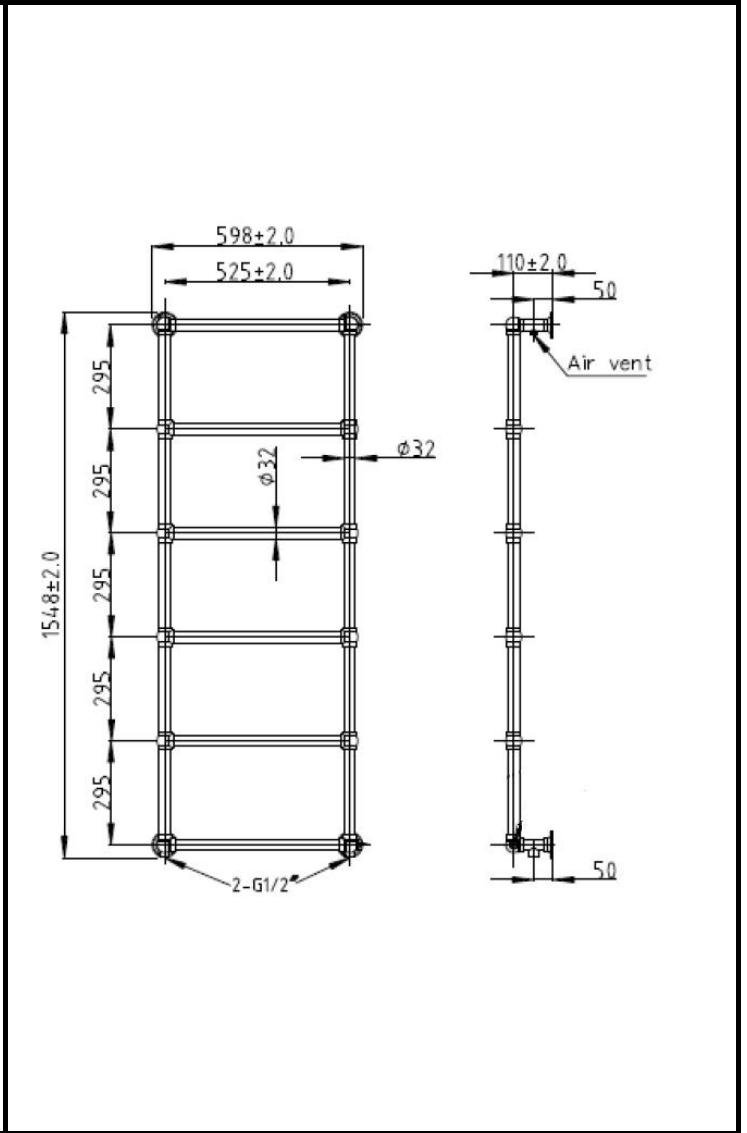
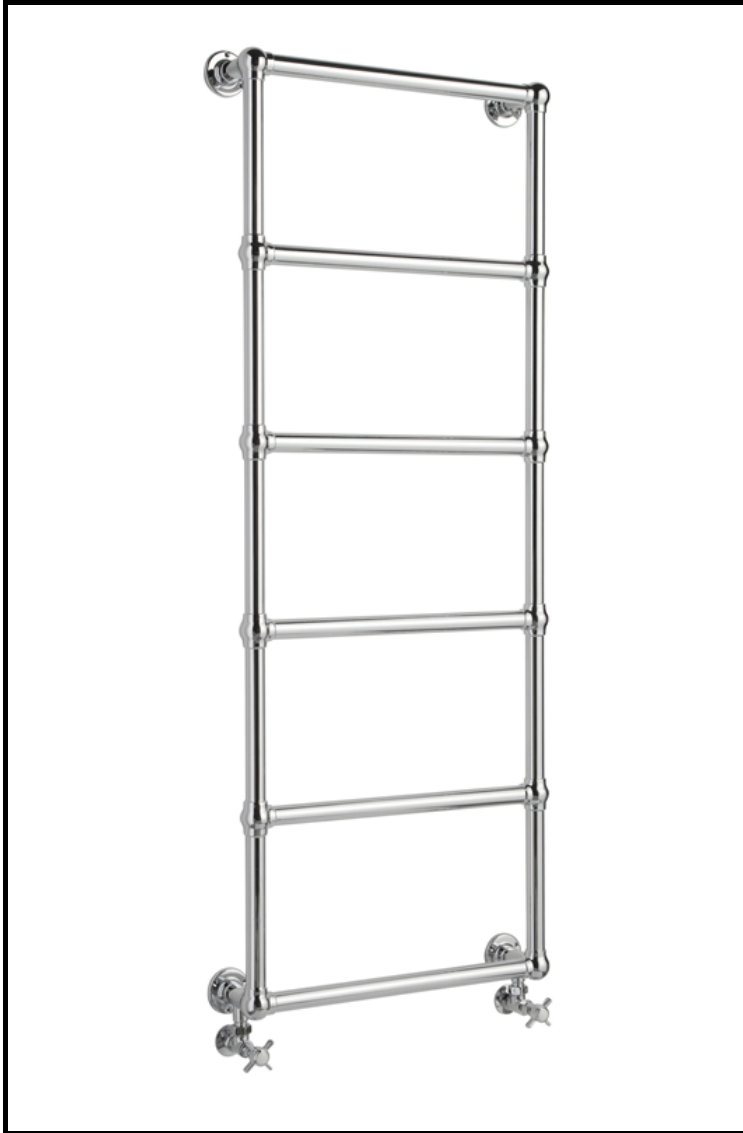
B A Y S W A T E R

London W.2

CODE: BAYR008

DESCRIPTION: Juliet W/M Towel Rail 1548X598x130

CATEGORY: Heating



PRODUCT DIMENSIONS				
Height (mm)	Width (mm)	Depth (mm)	Length (mm)	Nett Wgt Kg
1548	598	110		9.98

PACKAGING DIMENSIONS			
Height (mm)	Width (mm)	Depth (mm)	Gross Wgt Kg
1600	620	150	9.98

PACKAGING DATA			
Box Colour	White Cardboard Shrinkwrapped		
Box Qty	1	Label Colour	White Label
Label Size	100 x 50	Label Qty	2

OUTER BOX DIMENSIONS (If Applicable)			
Height (mm)	Width (mm)	Length (mm)	Gross Wgt Kg
Barcode	5055275889978		

PRODUCT DETAILS	
Contry of Origin	United Kingdom
Fitting Instruction	Yes
RAL No	N/A
Heat Element Wattage	Not Applicable
BTU @ 50 Degrees	1095
Thermal Output @ 50 Degrees	
Pipe Centres	525mm
Volume	142
Wall to Ctr of Tappings	50
Duel Fuel	N/A

Certification	CE	Yes	RoHS	N/A	WEEE	N/A
Colour/Finish	Chrome					
Product Material	Steel					
Heat Element Wattage Compatible	N/A					
BTU @ 60 Degrees	1391					
Thermal Output @ 60 Degrees	408W					
Max Projection	130mm					
Tube Diameter	32mm					
Floor to Ctr of Tappings	N/A					