

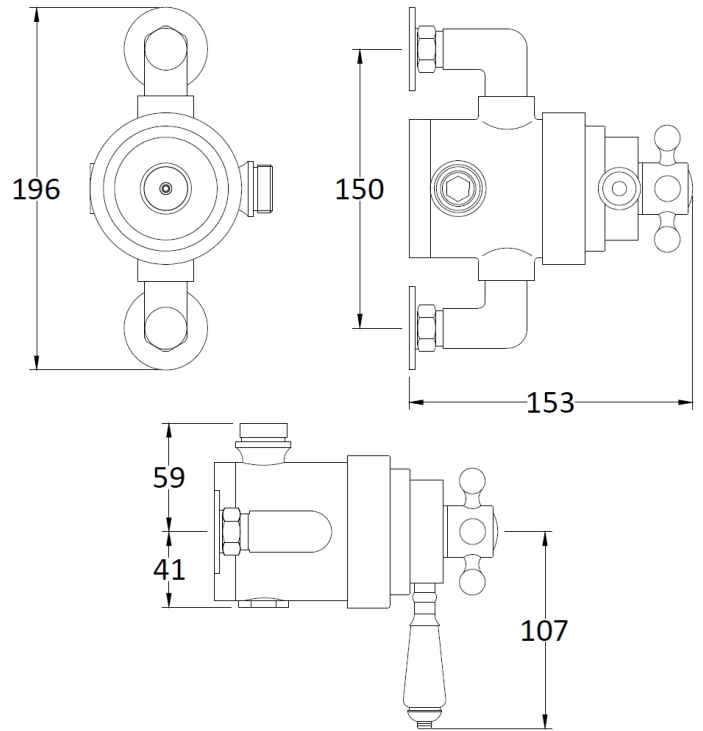
# B A Y S W A T E R

London W.2

**CODE:** BAYS191

**DESCRIPTION:** Dual Thermostatic Exposed Valve

**CATEGORY:** Showers



PRODUCT DIMENSIONS				
Length(mm)	Width (mm)	Height (mm)	Depth (mm)	Nett Wgt Kg
	196	166	153	3.44

PACKAGING DIMENSIONS			
Depth (mm)	Width (mm)	Height (mm)	Gross Wgt Kg
240	240	185	3.44

PACKAGING DATA			
Box Colour	White Cardboard Box		
Box Qty	1	Label Colour	White Label
Label Size	100 x 50	Label Qty	2

OUTER BOX DIMENSIONS (If Applicable)				
Length (mm)	Width (mm)	Height (mm)	Depth (mm)	Gross Wgt Kg
	500	405	265	14
Barcode	5055275889770			

PRODUCT DETAILS	
Country of Origin	United Kingdom
Fitting Instruction	Yes
Product Material	Brass
Mount Type	Surface, Recessed, Wall
Outlet Elbow Supplied	No
Easy Clean	Not Applicable
Head Included	No
Handset Included	No
Body Jets Included	No
No of Body Jets	Not Applicable
Operating Pressure (bar)	0.1
Valve/Cartridge Type	1/4 Turn

Flow Rates (L/min)	0.1 bar	5.5	0.5 bar	14.5	1 bar	22	2 bar	30	3 bar	35
TMV2 Approved	Yes		Approval No.	Bc1163/0313						
TMV3 Approved	No		Approval No.	N/A						
WRAS Approved	Yes		Approval No.	N/A						
Head Function	Not Applicable									
Handset Function	Not Applicable									
Body Jet Info	Not Applicable									
Pipe Size	15 mm (1/2" Bsp)									
Pipe Centres	150 mm									
Colour/Finish	Chrome									
Hose Included	Not Applicable									