

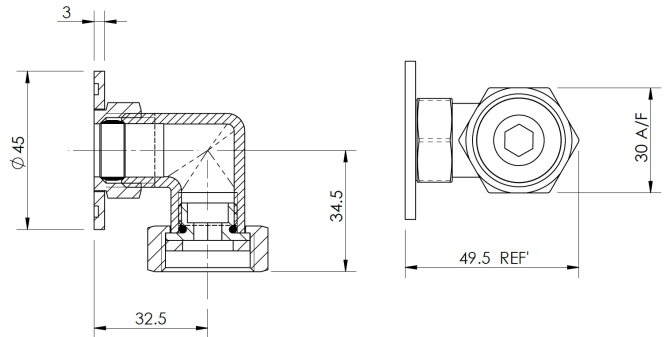
B A Y S W A T E R

London W.2

CODE: BAYS381

DESCRIPTION: Back To Wall Shower Elbow

CATEGORY: Showers



| PRODUCT DIMENSIONS | | | | |
|--------------------|------------|-------------|------------|-------------|
| Length(mm) | Width (mm) | Height (mm) | Depth (mm) | Nett Wgt Kg |
| | 50 | 50 | 50 | 0.1 |

| PACKAGING DIMENSIONS | | | |
|----------------------|------------|-------------|--------------|
| Depth (mm) | Width (mm) | Height (mm) | Gross Wgt Kg |
| 90 | 55 | 40 | 0.1 |

| PACKAGING DATA | | | |
|----------------|---------------------|--------------|-------------|
| Box Colour | White Cardboard Box | | |
| Box Qty | 1 | Label Colour | White Label |
| Label Size | 100 x 50 | Label Qty | 1 |

| OUTER BOX DIMENSIONS (If Applicable) | | | | |
|--------------------------------------|---------------|-------------|------------|--------------|
| Length (mm) | Width (mm) | Height (mm) | Depth (mm) | Gross Wgt Kg |
| | | | | |
| Barcode | 5055275890738 | | | |

| PRODUCT DETAILS | |
|--------------------------|----------------|
| Country of Origin | United Kingdom |
| Fitting Instruction | No |
| Product Material | Brass |
| Mount Type | Surface, Wall |
| Outlet Elbow Supplied | Not Applicable |
| Easy Clean | Not Applicable |
| Head Included | No |
| Handset Included | Not Applicable |
| Body Jets Included | Not Applicable |
| No of Body Jets | Not Applicable |
| Operating Pressure (bar) | |
| Valve/Cartridge Type | Not Applicable |

| | | | | | | | | | | |
|--------------------|----------------|-----|--------------|-----|-------|-----|-------|-----|-------|-----|
| Flow Rates (L/min) | 0.1 bar | N/A | 0.5 bar | N/A | 1 bar | N/A | 2 bar | N/A | 3 bar | N/A |
| TMV2 Approved | No | | Approval No. | N/A | | | | | | |
| TMV3 Approved | No | | Approval No. | N/A | | | | | | |
| WRAS Approved | No | | Approval No. | N/A | | | | | | |
| Head Function | Not Applicable | | | | | | | | | |
| Handset Function | Not Applicable | | | | | | | | | |
| Body Jet Info | Not Applicable | | | | | | | | | |
| Pipe Size | Not Applicable | | | | | | | | | |
| Pipe Centres | N/A | | | | | | | | | |
| Colour/Finish | Chrome | | | | | | | | | |
| Hose Included | Not Applicable | | | | | | | | | |