

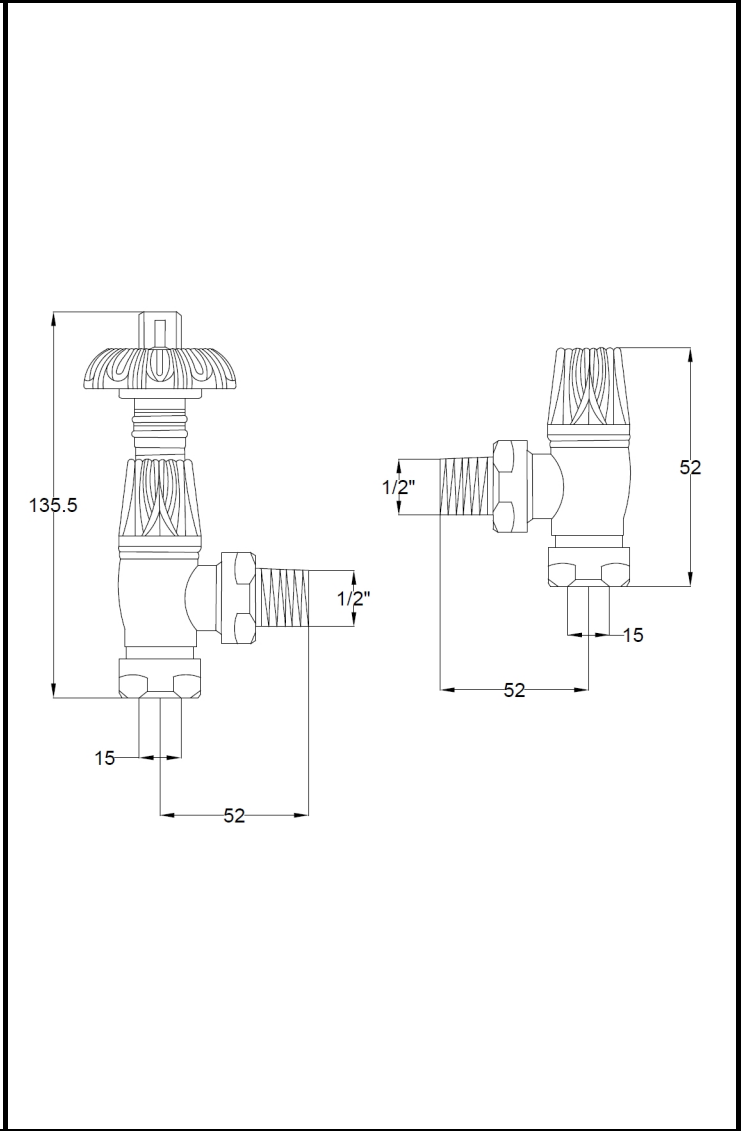
B A Y S W A T E R

London W.2

CODE: BAYV105

DESCRIPTION: Angled Thermo Valve C/W Lockshield-Flute

CATEGORY: Heating



PRODUCT DIMENSIONS				
Height (mm)	Width (mm)	Depth (mm)	Length (mm)	Nett Wgt Kg
136	55	80		0.83

PACKAGING DIMENSIONS			
Height (mm)	Width (mm)	Depth (mm)	Gross Wgt Kg
185	145	85	0.83

PACKAGING DATA			
Box Colour	White Cardboard Box		
Box Qty	1	Label Colour	White Label
Label Size	100 x 50	Label Qty	1

OUTER BOX DIMENSIONS (If Applicable)			
Height (mm)	Width (mm)	Length (mm)	Gross Wgt Kg
Barcode	5055275890196		

PRODUCT DETAILS	
Contry of Origin	United Kingdom
Fitting Instruction	Yes
RAL No	N/A
Heat Element Wattage	Not Applicable
BTU @ 50 Degrees	N/A
Thermal Output @ 50 Degrees	N/A
Pipe Centres	N/A
Volume	N/A
Wall to Ctr of Tappings	N/A
Duel Fuel	N/A

Certification	CE	N/A	RoHS	N/A	WEEE	N/A
Colour/Finish	Chrome					
Product Material	Steel					
Heat Element Wattage Compatible	N/A					
BTU @ 60 Degrees	N/A					
Thermal Output @ 60 Degrees	N/A					
Max Projection	N/A					
Tube Diameter	N/A					
Floor to Ctr of Tappings	N/A					