

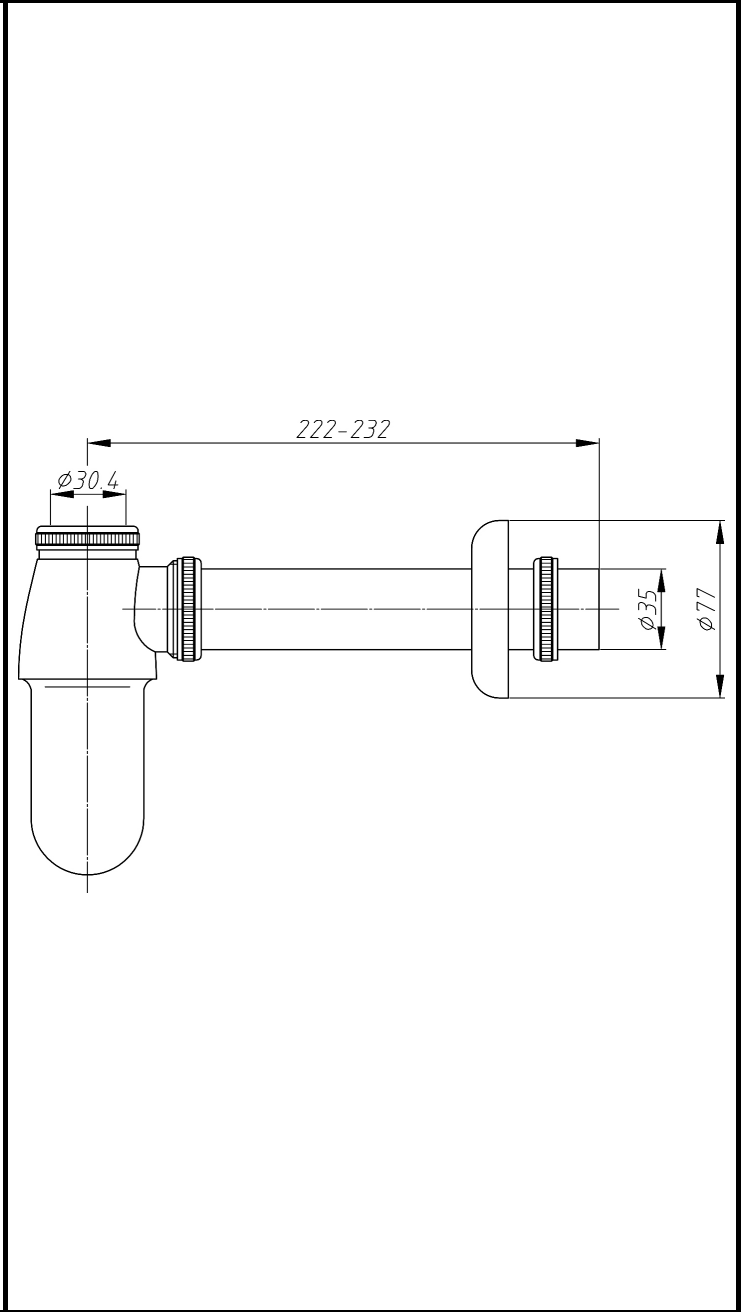
B A Y S W A T E R

London W.2

CODE: BAYW001

DESCRIPTION: Basin Bottle Trap W/ 190mm Ext Tube

CATEGORY: Wastes & Extras



PRODUCT DIMENSIONS				
Height (mm)	Width (mm)	Length (mm)	Depth (mm)	Nett Wgt Kg
263	77		77	0.67

PACKAGING DIMENSIONS			
Height (mm)	Width (mm)	Depth (mm)	Gross Wgt Kg
85	110	200	0.67

PACKAGING DATA			
Box Colour	White Cardboard Box		
Box Qty	1	Label Colour	White Label
Label Size	100 x 50	Label Qty	2

OUTER BOX DIMENSIONS (If Applicable)				
Height (mm)	Width (mm)	Length (mm)	Depth (mm)	Gross Wgt Kg
Barcode	5055275890387			

PRODUCT DETAILS	
Country of Origin	United Kingdom
Fitting Instruction	Yes
Product Material	Brass
Heating Element Wattage	Not Applicable

CE Certification	N/A
Colour/Finish	Chrome
Product Diameter	77mm
Connection Size	1 1/4"