

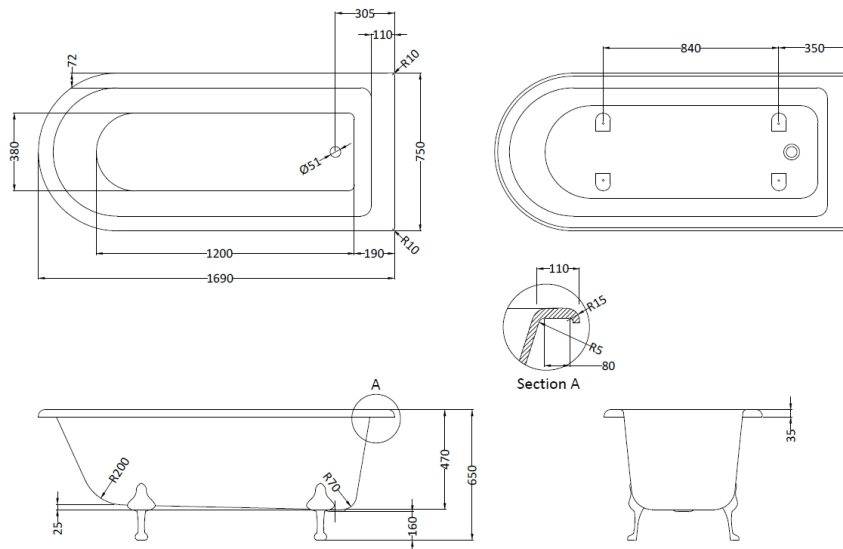
# B A Y S W A T E R

London W.2

**CODE:** BAYB113

**DESCRIPTION:** 1700 Freestanding Shower Bath

**CATEGORY:** Baths



## PRODUCT DIMENSIONS

Length (mm)	Width (mm)	Height (mm)	Nett Wgt Kg
1690	750	470	46.7

## PACKAGING DIMENSIONS

Length (mm)	Width (mm)	Height (mm)	Gross Wgt Kg
1690	750	500	47.5

## PACKAGING DATA

Box Colour	Brown Cardboard Sleeve		
Box Qty	1	Label Colour	White Label
Label Size	100 X 50	Label Qty	2

## OUTER BOX DIMENSIONS (If Applicable)

Length (mm)	Width (mm)	Height (mm)	Gross Wgt Kg
Barcode	5056211805014		

## PRODUCT DETAILS

Country of Origin	China	Certification	FSC	N/A	CE
Fitting Instruction	No	Material Colour Ref'	European White		
Product Material	Acrylic	Material Thickness	14mm		
Volume (Ltr)	210	Displaced Capacity	140		
Leg Set Inc'	Legset Not Included	Waste Inc'	Waste Not Included		
Drilled/Undrilled	Undrilled For Taps	Includes Grips	No Grips Supplied		
Embossed	No	No of Tapholes	None		
Anti-Slip	No				