

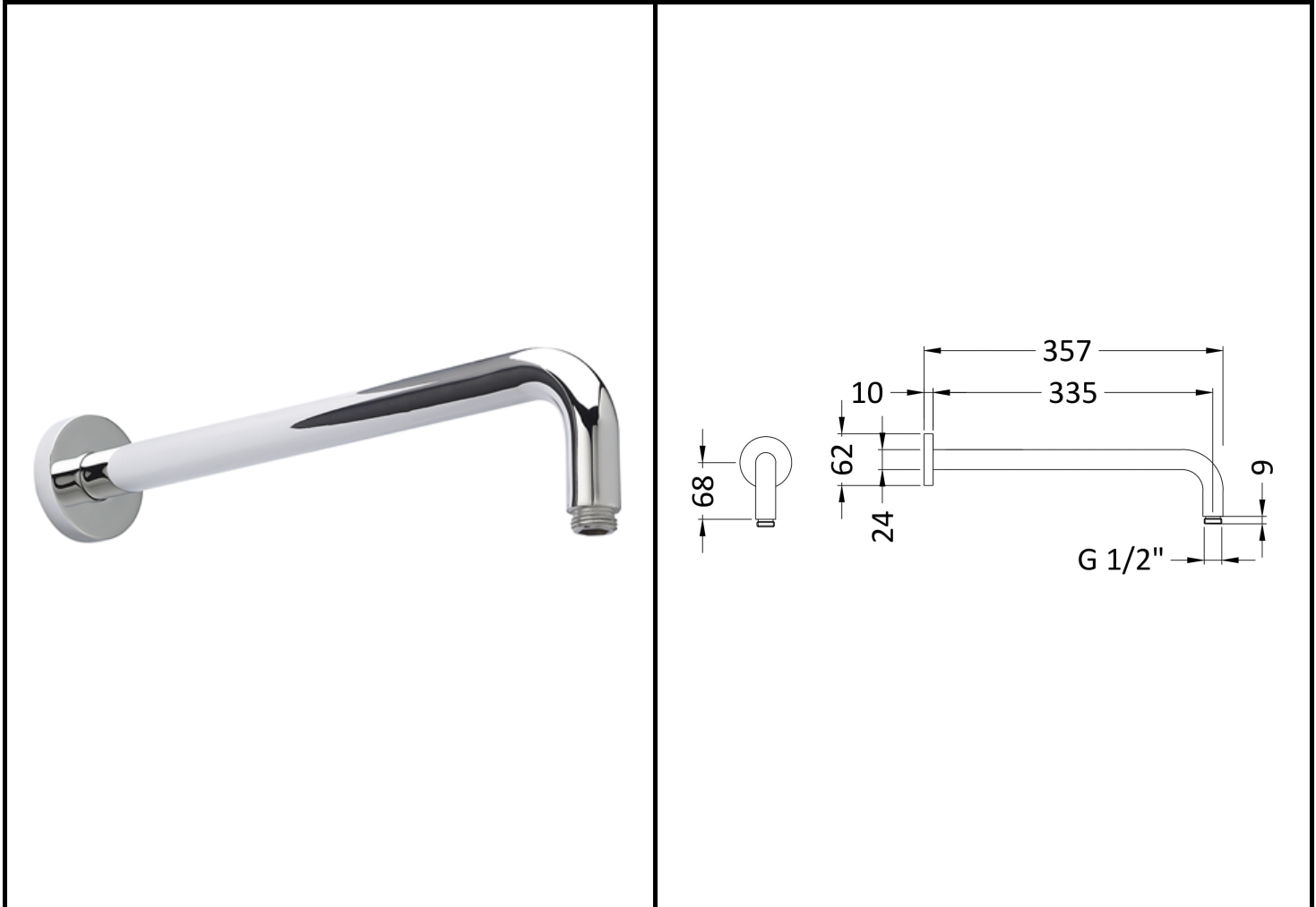
# B A Y S W A T E R

London W.2

**CODE:** BAYS351

**DESCRIPTION:** Wall Mounted Shower Arm

**CATEGORY:** Showers



PRODUCT DIMENSIONS				
Length(mm)	Width (mm)	Height (mm)	Depth (mm)	Nett Wgt Kg
	62	99	320	0.3

PACKAGING DIMENSIONS			
Depth (mm)	Width (mm)	Height (mm)	Gross Wgt Kg
102	38	420	0.5

PACKAGING DATA			
Box Colour	White Cardboard Box		
Box Qty	1	Label Colour	White Label
Label Size	100 x 50	Label Qty	2

OUTER BOX DIMENSIONS (If Applicable)				
Length (mm)	Width (mm)	Height (mm)	Depth (mm)	Gross Wgt Kg
	430	365	430	19
Barcode	5055275890660			

PRODUCT DETAILS										
Coutry of Origin	United Kingdom									
Fitting Instruction	No									
Product Material	Brass									
Mount Type	Wall, Surface									
Outlet Elbow Supplied	No									
Easy Clean	Not Applicable									
Head Included	No									
Handset Included	Not Applicable									
Body Jets Included	No									
No of Body Jets	Not Applicable									
Operating Pressure (bar)										
Valve/Cartridge Type	Not Applicable									
Flow Rates (L/min)	0.1 bar	N/A	0.5 bar	N/A	1 bar	N/A	2 bar	N/A	3 bar	N/A
TMV2 Approved	No		Approval No.		N/A					
TMV3 Approved	No		Approval No.		N/A					
WRAS Approved	No		Approval No.		N/A					
Head Function	Not Applicable									
Handset Function	Not Applicable									
Body Jet Info	Not Applicable									
Pipe Size	Not Applicable									
Pipe Centres	Not Applicable									
Colour/Finish	Chrome									
Hose Included	Not Applicable									